

DL04-x30A 10" 30W LED Light

ecolighting*



產品特色:

1. 超薄輕盈的產品外觀設計
2. 專業技術的白光高品質LED
3. 高效率的光源品質無眩光
4. 容易安裝保養容易
5. 節能環保,無UV紫外線
6. 優異的熱傳導技術,提供LED高壽命的使用

Features

1. Non-cumbersome and ultra-thin frame.
2. Wide beam angle: 110 degree
3. LED proprietary technology delivers uniform, high-quality, white light.
4. Easy installation and maintenance free.
5. Energy saving, Low cost and UV-stop.
6. Excellent thermal dissipation proves long LED lifetime.



綠明科技股份有限公司

地址：新北市新店區寶興路 45 巷 1 號 2 樓

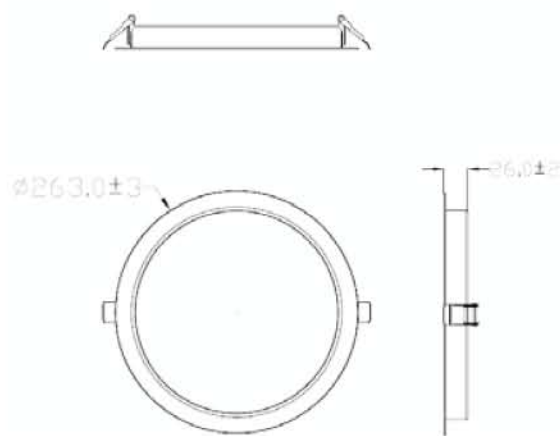
E-mail: sale@ecolighting.com.tw

電話：886-2-2912-0606 傳真：886-2-2912-0707

ecolighting*

Specification

Model	DL04-C30A	DL04-W30A
Input Voltage	100~240Vac	100~240Vac
Frequency Range	50/60 HZ	50/60 HZ
Power Consumption	30W (typ.)	30W (typ.)
Emitting Color	Cool White	Warm White
Color Temperature	6000K (typ.)	3000K (typ.)
Luminous Flux	2700 Lm (typ.)	2400 Lm (typ.)
Color Rendering Index	70 (min.)	80 (min.)
Lifetime	40,000hrs	40,000hrs
Illuminance at 1m	960 Lux (typ.)	860 Lux (typ.)
Beam Angle	110°	110°
Operating Temperature	-20°C~+40°C	-20°C~+40°C
Operating Humidity	20~80% RH	20~80% RH
Storage Temp. & Humidity	-30°C~+60°C 10~90% RH	-30°C~+60°C 10~90% RH
Dimensions	263 x 26 mm (D x H)	263 x 26 mm (D x H)
Fixed Material	Aluminum	Aluminum
Authenticate	CE	CE
Weight	420g	420g



Unit: mm

Note: Cutting hole: 245~250mm